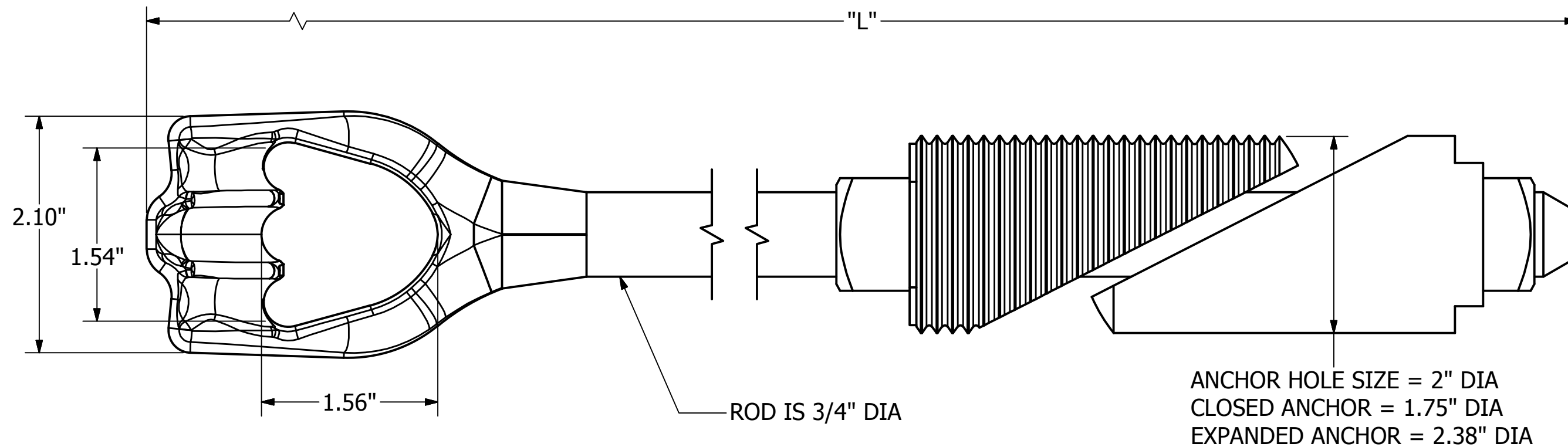
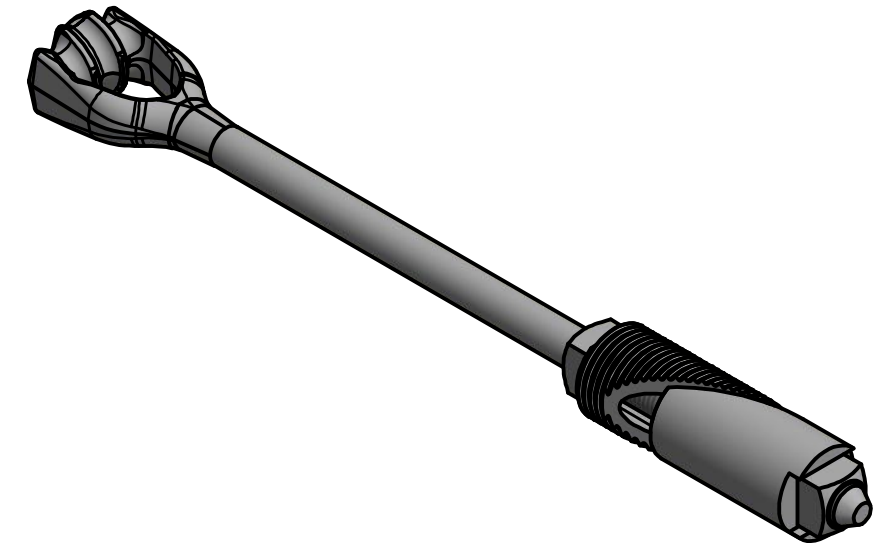



CATALOG NO.	"L"
R315	15"
R330	30"
R353	53"
R360	60"
R372	72"
R384	84"
R396	96"



ULTIMATE TENSILE STRENGTH : 23,000 LBS

CHANCE [®] <small>CONFIDENTIAL: THIS DRAWING AND ITS CONTENTS ARE CONFIDENTIAL AND THE EXCLUSIVE PROPERTY OF HUBBELL POWER SYSTEMS. NO PUBLICATION, DISTRIBUTION, OR COPIES MAY BE MADE WITHOUT THE WRITTEN CONSENT OF HUBBELL POWER SYSTEMS. HUBBELL POWER SYSTEMS UNPUBLISHED ALL RIGHTS RESERVED UNDER THE COPYRIGHT LAWS.</small>	 HUBBELL POWER SYSTEMS, INC.		
	TITLE EXPANDING ROCK ANCHOR 3/4" ROD		
SIZE B	CAT / PART / ASSY NO. SEE CHART	DWG NO. SAR315	REV A
DO NOT SCALE THIS DRAWING	DRN BY MRG	DATE 10/31/18	SHEET 1 OF 1